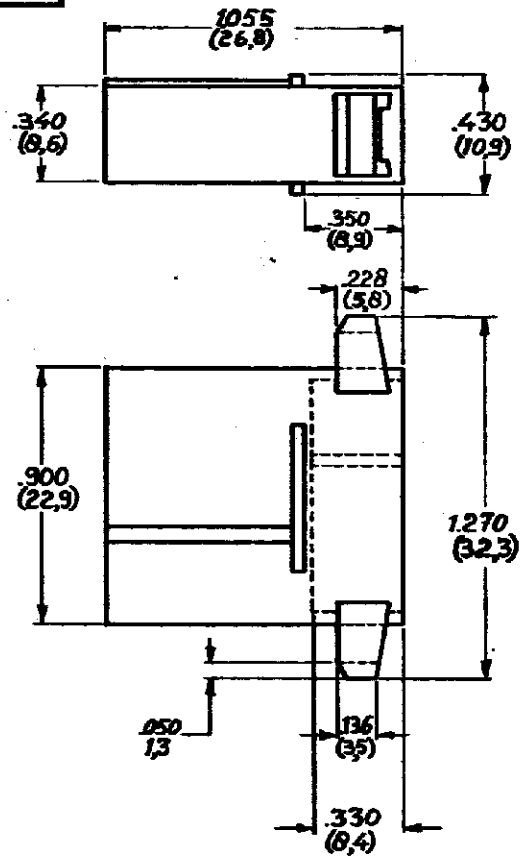
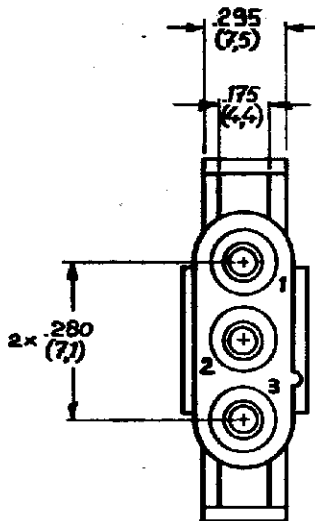


DRAWING MADE IN AMERICAN PROJECTION

NUMBER C-163037



(USA)

DIMENSIONS IN (INCH) DO NOT SCALE PRINT

1-163037-9	BLACK	
1-163037-8	GREY	
1-163037-7	VIOLET	
1-163037-6	BLUE	
1-163037-5	GREEN	
1-163037-4	YELLOW	
1-163037-3	ORANGE	
1-163037-2	RED	
1-163037-1	BROWN	
1-163037-0	NATURAL	

CUSTOMER COPY FOR REFERENCE ONLY

©1968 BY AMP-HOLLAND N.V. ALL RIGHTS RESERVED A-MP PRODUCTS COVERED BY PATENTS AND/OR PATENTS PENDING.



AMP-HOLLAND N.V.
's-Hertogenbosch

MATERIAL ZYTEL 101	INSUL. RANGE	FIRST USED
-----------------------	--------------	------------

SCALE 2:1	SIZE A	NO C-163037	PAGE 1 OF 4	REV A
--------------	-----------	----------------	-------------	----------

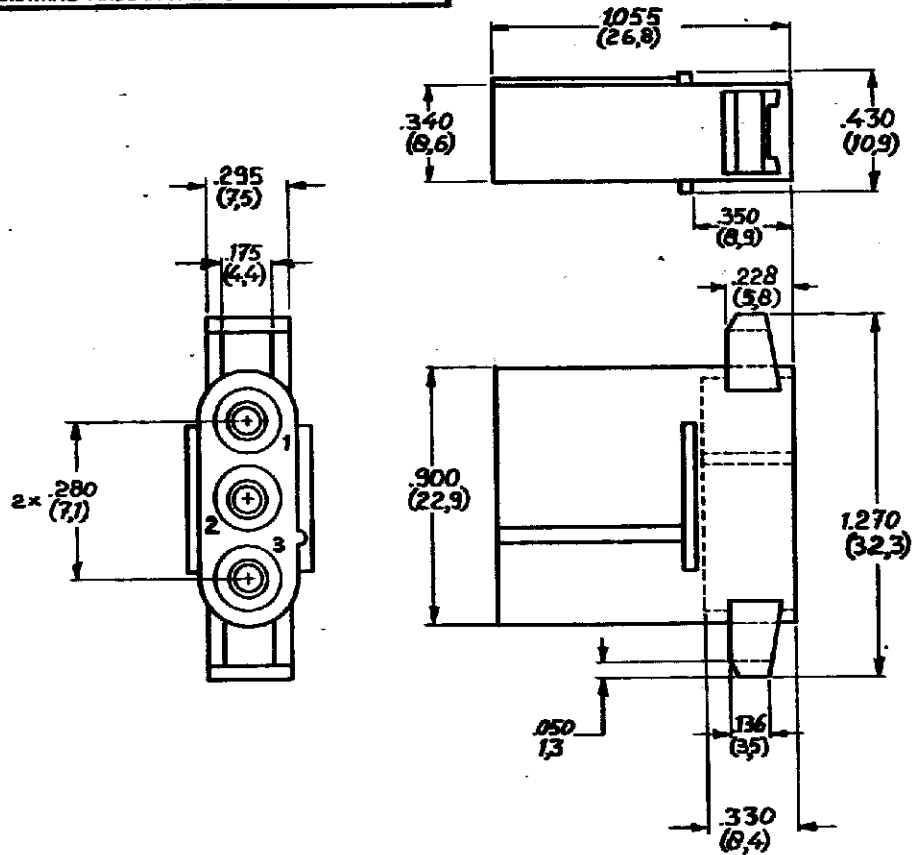
ORDER NO.	MATERIAL	PLATING
DR R. S. ... 20/6-73	DATE	DE DATE
CHK Co. Tilburg 25-6-73	DATE	APP. DATE

NAME 3-CIRCUIT PIN HOUSING MATE-N-LOK

AMP 12241

DRAWING MADE IN AMERICAN PROJECTION

C-163037



(USA)

2-163037-9	BLACK	
2-163037-8	GREY	
2-163037-7	VIOLET	
2-163037-6	BLUE	
2-163037-5	GREEN	
2-163037-4	YELLOW	
2-163037-3	ORANGE	
2-163037-2	RED	
2-163037-1	BROWN	
2-163037-0	NATURAL	

DIMENSIONS IN (IN) DO NOT SCALE PRINT

CUSTOMER COPY FOR REFERENCE ONLY

©1980 BY AMP-HOLLAND N.V. ALL RIGHTS RESERVED A-MP PRODUCTS COVERED BY PATENTS AND/OR PATENTS PENDING.



AMP-HOLLAND N.V.
's-Hertogenbosch

MAT: ZYTEL INSUL. RANGE FIRST USED
FE 3016

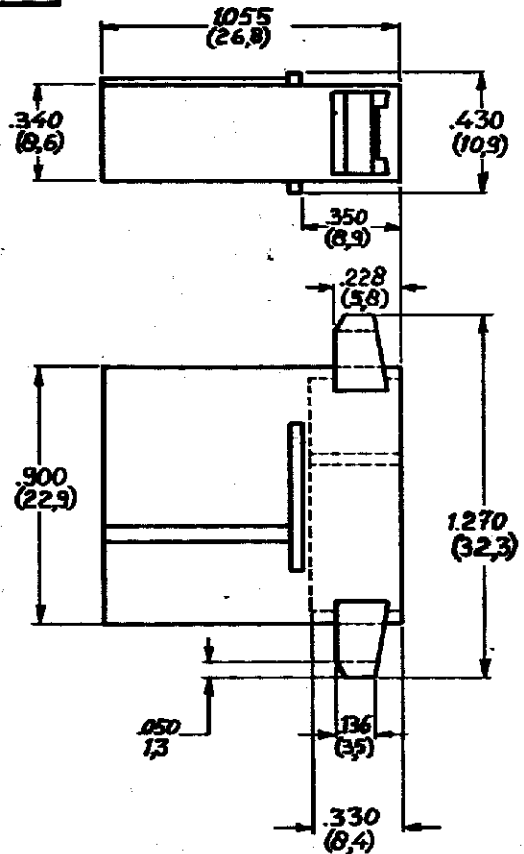
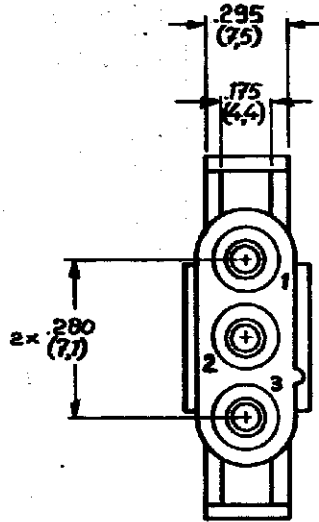
ORDER NO.	MATERIAL	PLATING
DR RVH. 4/80	DATE DE	DATE
DATE	DATE	DATE
20.4.80	APP	DATE
		20.4.80

SCALE	SIZE	NO	REV
2:1	A	C-163037 PAGE 2 OF 4	A

NAME: 3-CIRCUIT PIN HOUSING MATE-N-LOK

DRAWING MADE IN AMERICAN PROJECTION

NUMBER C-163037



(LSA)

DIMENSIONS IN (IN.) DO NOT SCALE PRINT

CUSTOMER COPY FOR REFERENCE ONLY

©1980 BY AMP-HOLLAND N.V. ALL RIGHTS RESERVED AMP PRODUCTS COVERED BY PATENTS AND/OR PATENTS PENDING.



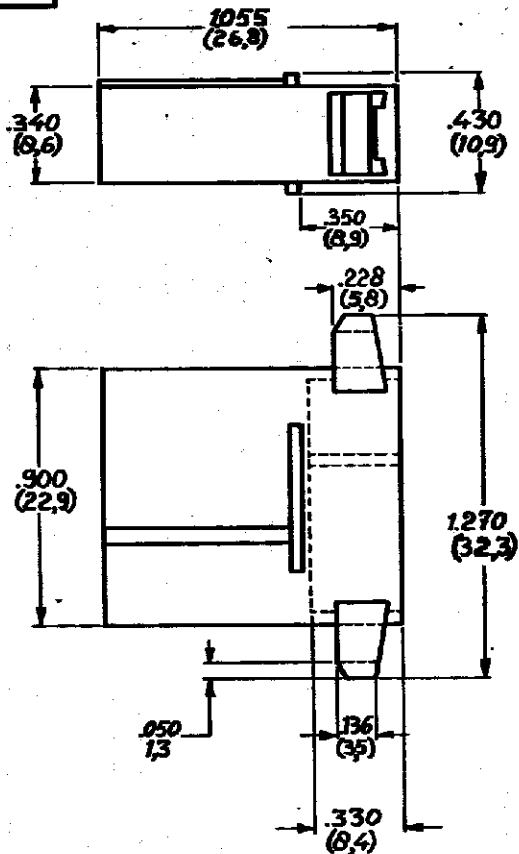
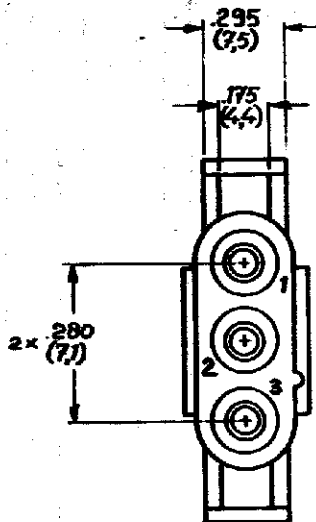
AMP-HOLLAND N.V.
's-Hertogenbosch

3-163037-0 NATURAL		
ORDER NO.	MATERIAL	PLATING
DR. RVH. 7/80		
CHE. [Signature]	DATE 10.09.80	DATE 10.09.80

MATERIAL TECHN. A 10	INSUL. RANGE	FIRST USED	SCALE 2:1		SIZE A	NO C-163037 PAGE 3 OF 4	REV A
NAME 3-CIRCUIT PIN HOUSING MATE-N-LOK							

DRAWING MADE IN AMERICAN PROJECTION

NUMBER C-163037



(USA)

DIMENSIONS IN PARENTHESES DO NOT SCALE PRINT

4-163037-9	BLACK	
4-163037-8	GREY	
4-163037-7	VIOLET	
4-163037-6	BLUE	
4-163037-5	GREEN	
4-163037-4	YELLOW	
4-163037-3	ORANGE	
4-163037-2	RED	
4-163037-1	BROWN	
4-163037-0	NATURAL	

CUSTOMER COPY FOR REFERENCE ONLY

©1980 BY AMP-HOLLAND N.V. ALL RIGHTS RESERVED A-MP PRODUCTS COVERED BY PATENTS AND/OR PATENTS PENDING.



AMP-HOLLAND N.V.
's-Hertogenbosch

MATERIAL DIAPHRAGM A2 1-2208	FIRST USED
SCALE 2:1	SIZE A
NO C-163037	REV A
PAGE 4 OF 4	
NAME 3-CIRCUIT PIN HOUSING MATE-N-LOK	

ORDER NO.	MATERIAL	PLATING
DATE 24 8 80	DATE 22 8 80	DATE 22 8 80